

# *RC-Help.com*

*Your RC Information Source*

## **This Line Is 5" Long**

The red lines on each page are registration lines to let you know where to cut the paper. They also help you align each page.

**Printing:**

Disable page scaling. If you still can't get the lines to match up, print the pages as Borderless.

**Motor: Exceed Rocket 2215-1300**

**Prop: 11x5.5**

**ESC: Exceed Proton 30a**

**Battery: 1000mah 3s 30c**

**Servos: T-Pro 9g**

**Control Horns: Dubro Small**

**Control Rods: .047"**

**This plane was originally designed by RCH member Derek. Rc-Help took his design and put it in PDF format for everyone to enjoy. It's an awesome flying Aircraft with 3D capabilities. This is a very easy plane to build, but can be a challenge to fly for a newer pilot. Set your control throws very low for your maiden flight.**

**Build Videos Coming Soon**

This Unit 1' Long

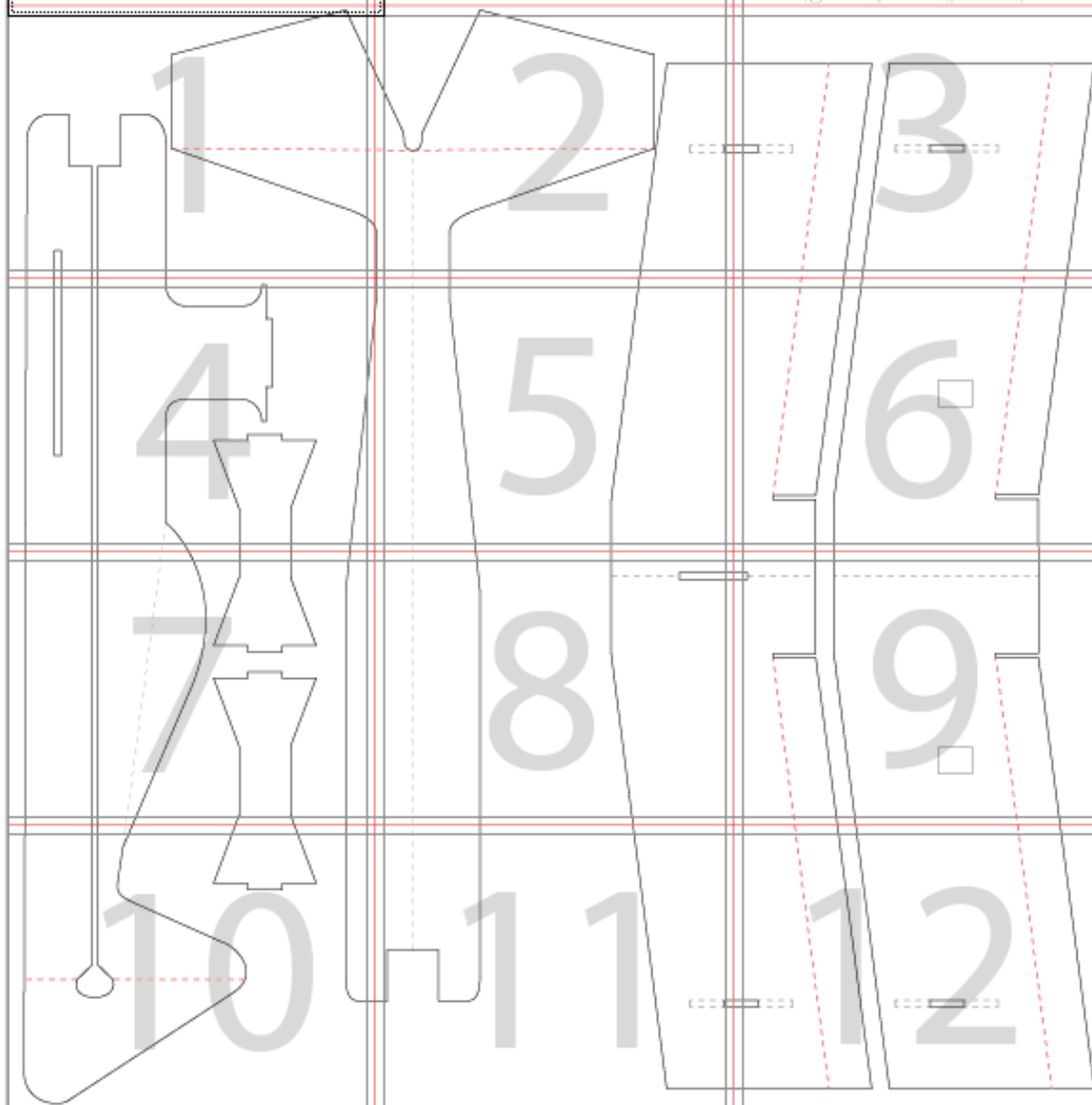
It will be a challenge to get your motor to run smoothly. Use the 1/2" hole to help.

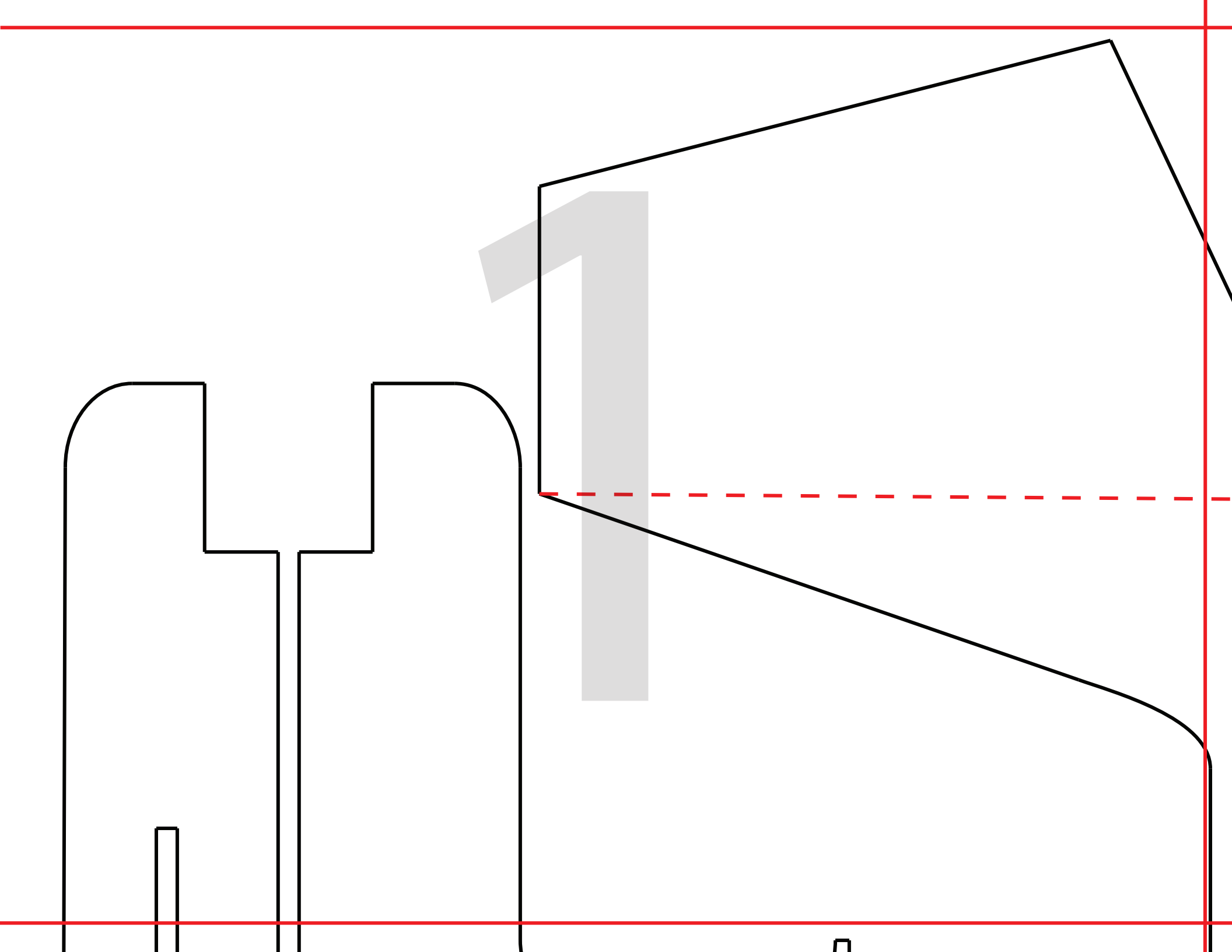
Make sure you use the correct motor and battery.

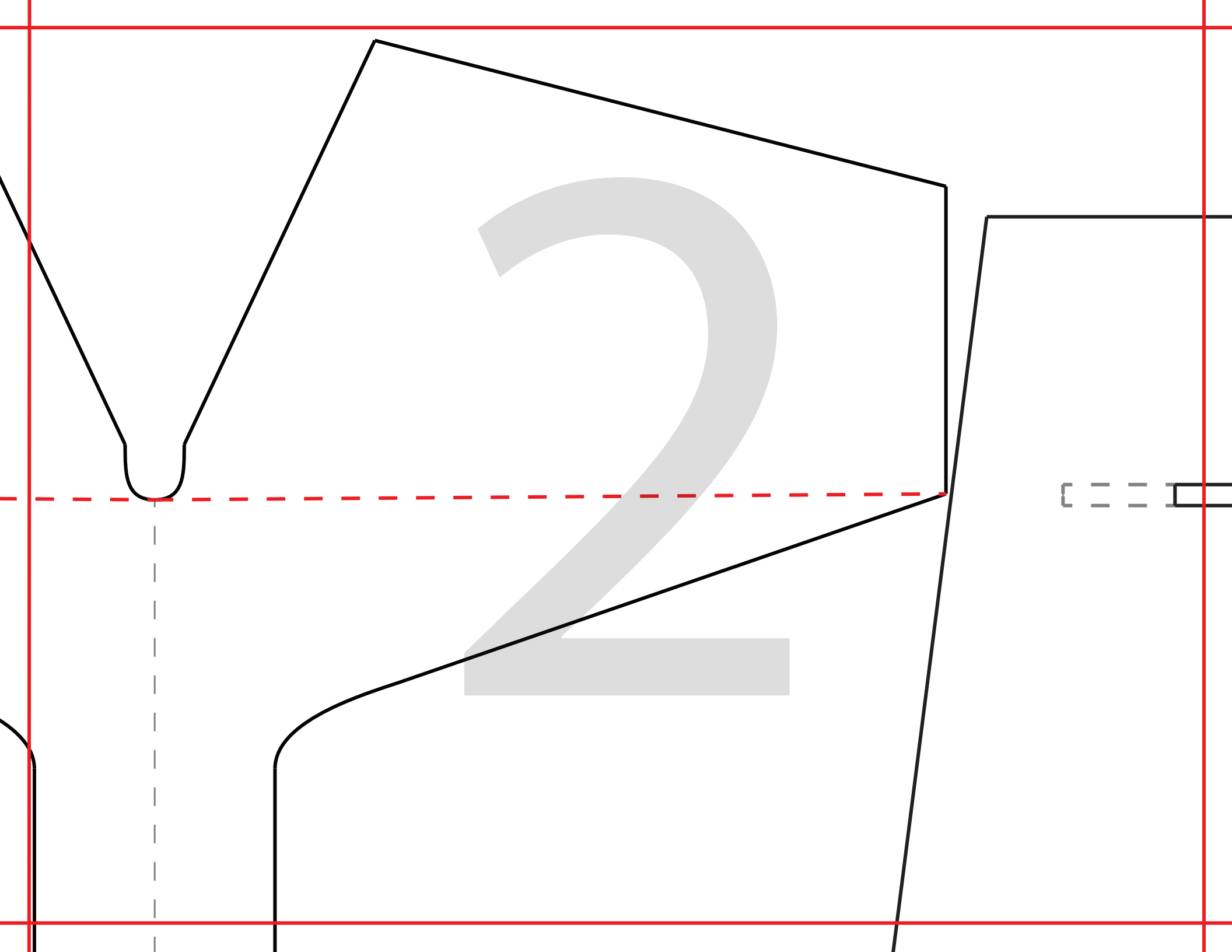
Motor: ESC/Model 2115-1200  
Prop: 11x5.5  
ESC: ESC/Proton 30a  
Battery: 1000mah 2x20c  
Servo: T-Prolog  
Control Horn: Dubro Small  
Control Rods: 4x4"

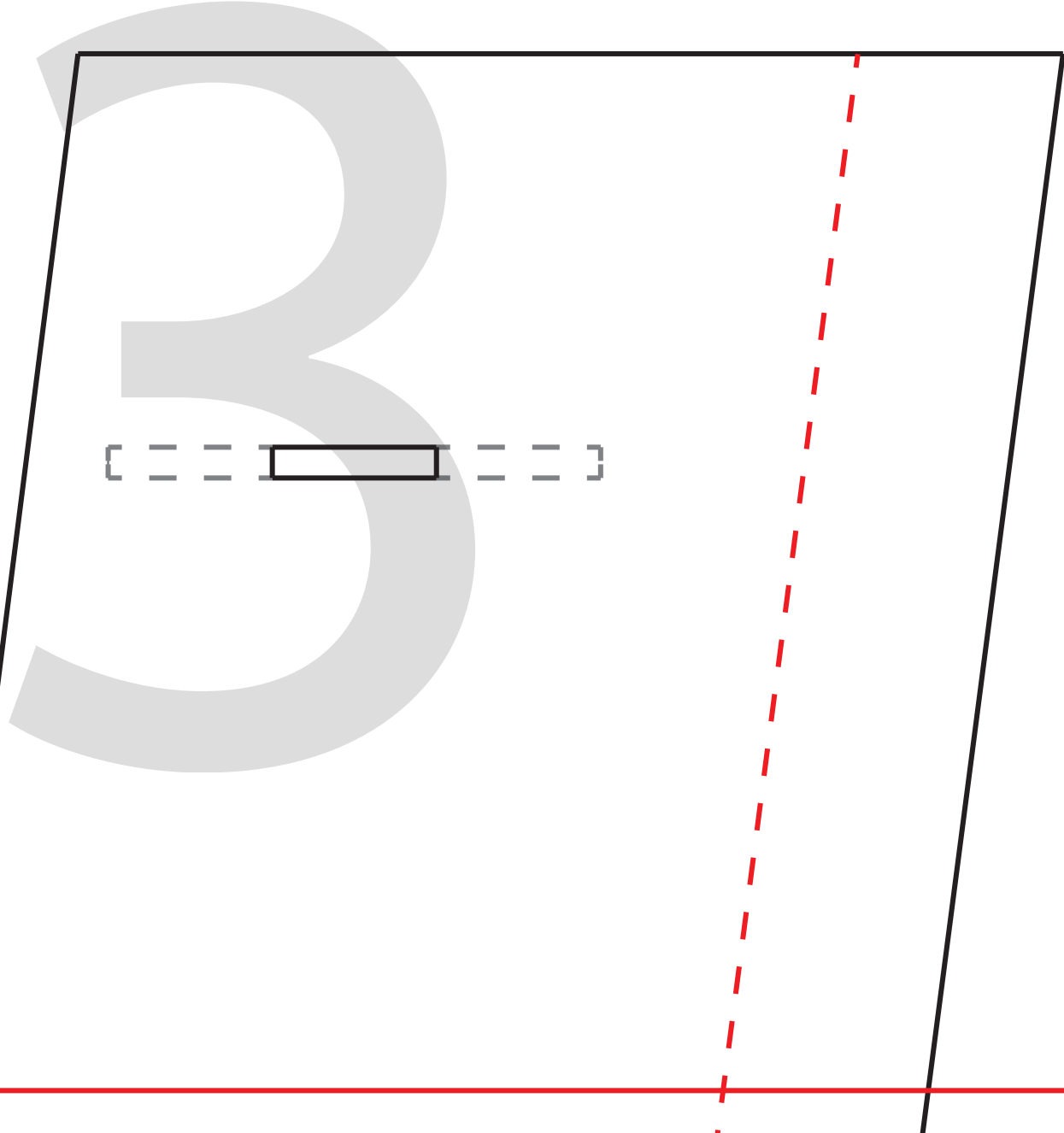
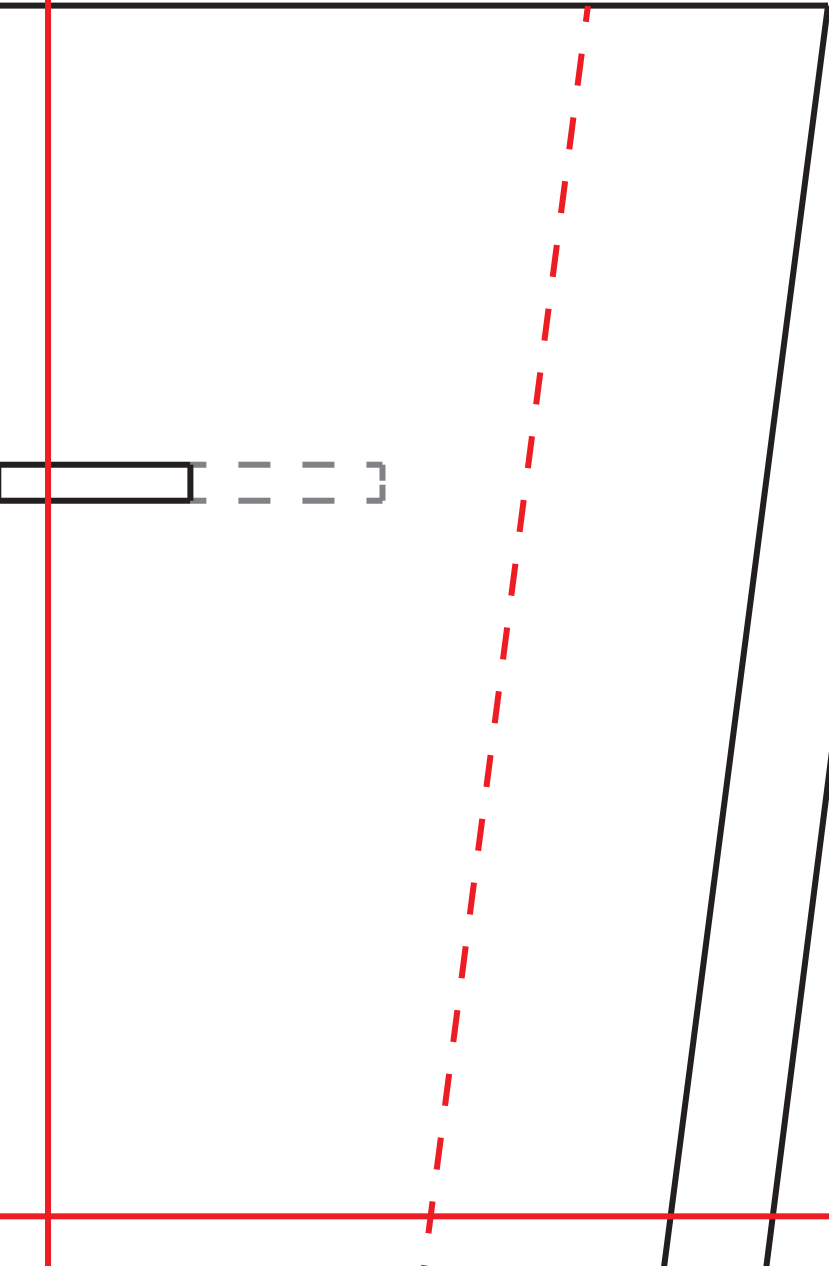
This plane was originally designed by RCH member Derek. Rc-Help took his design and put it in PDF format for everyone to enjoy. It's an awesome flying Aircraft with 3D capabilities. This is a very easy plane to build, but can be a challenge to fly for a newer pilot. Set your control throws very low for your maiden flight.

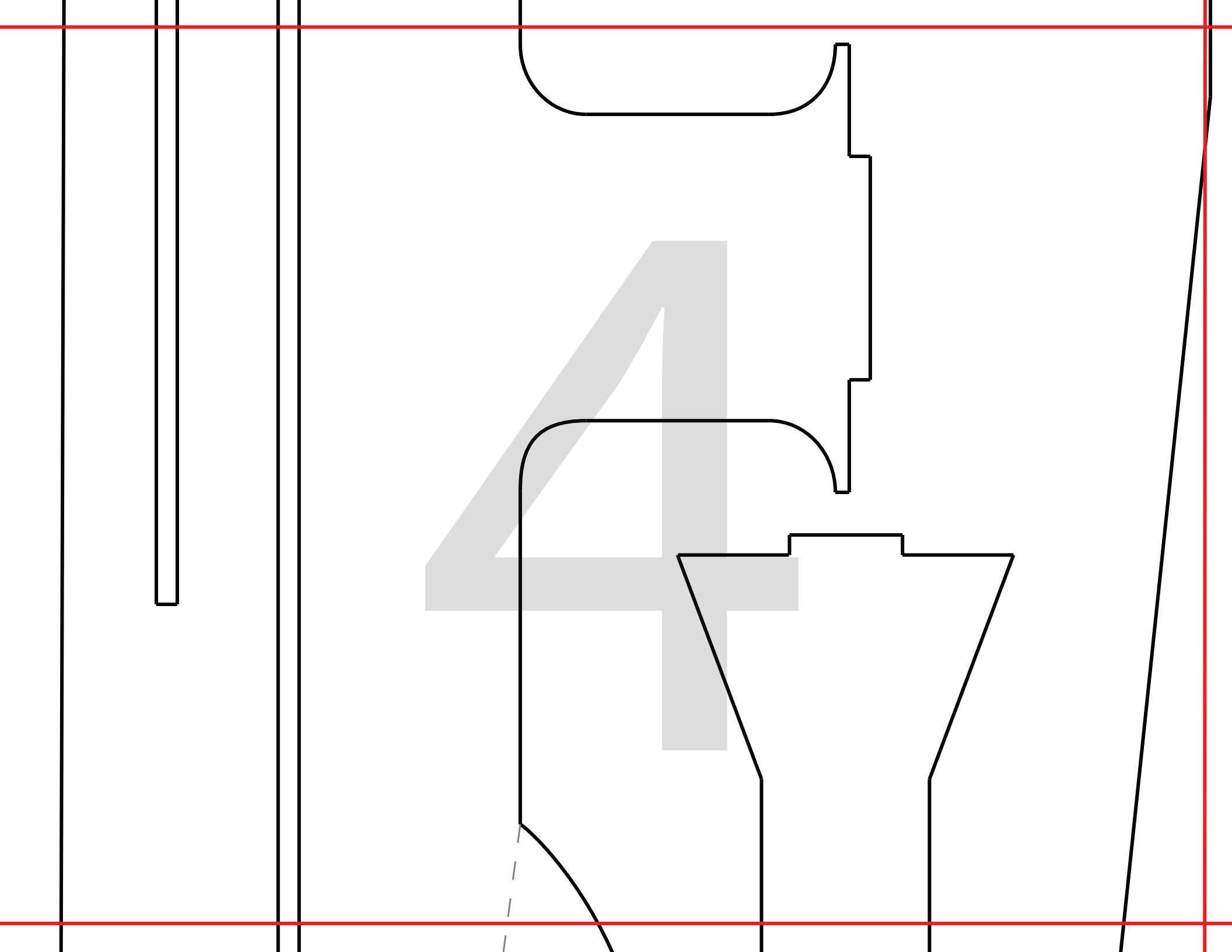
Sub-Assembly	Material	Quantity
1	2	3
4	5	6
7	8	9
10	11	12





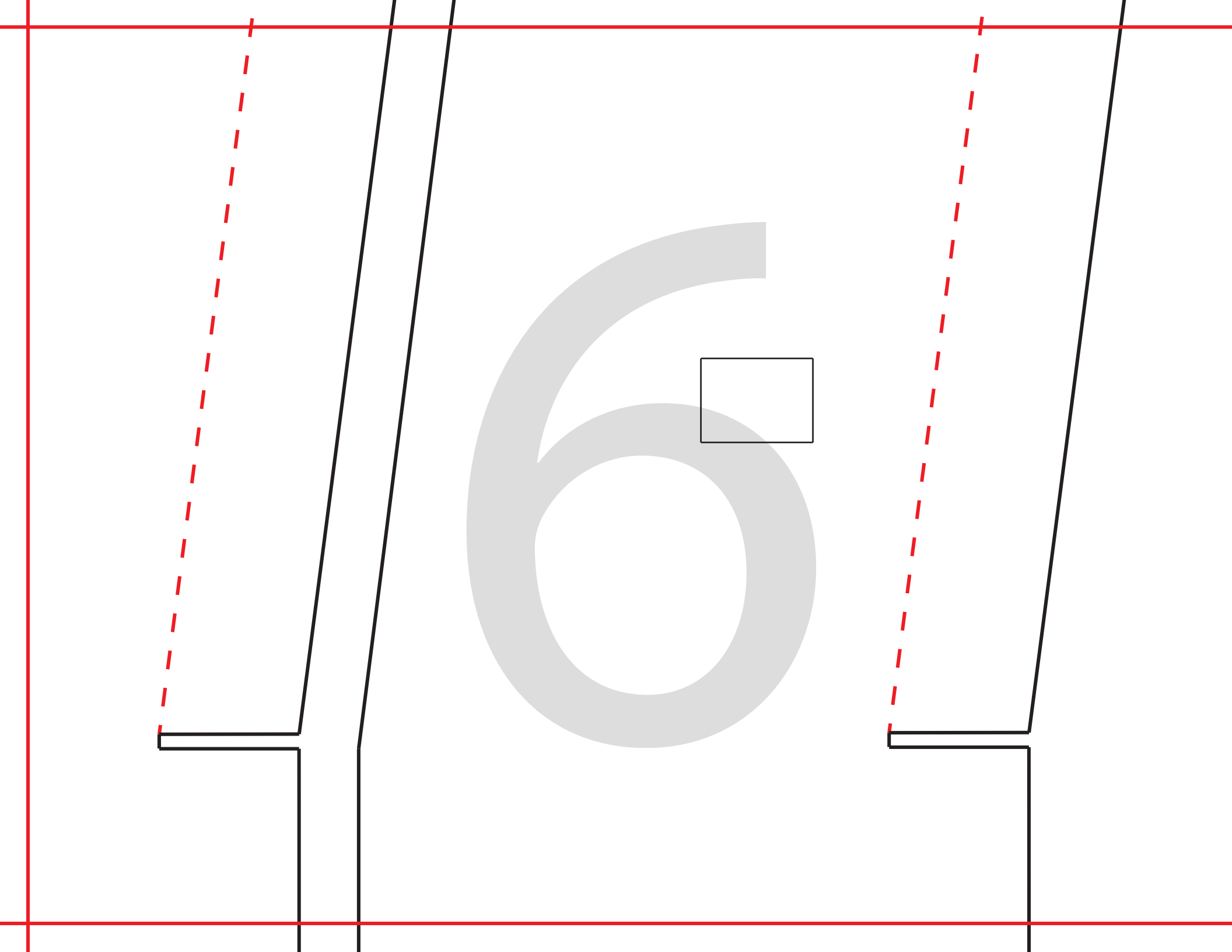


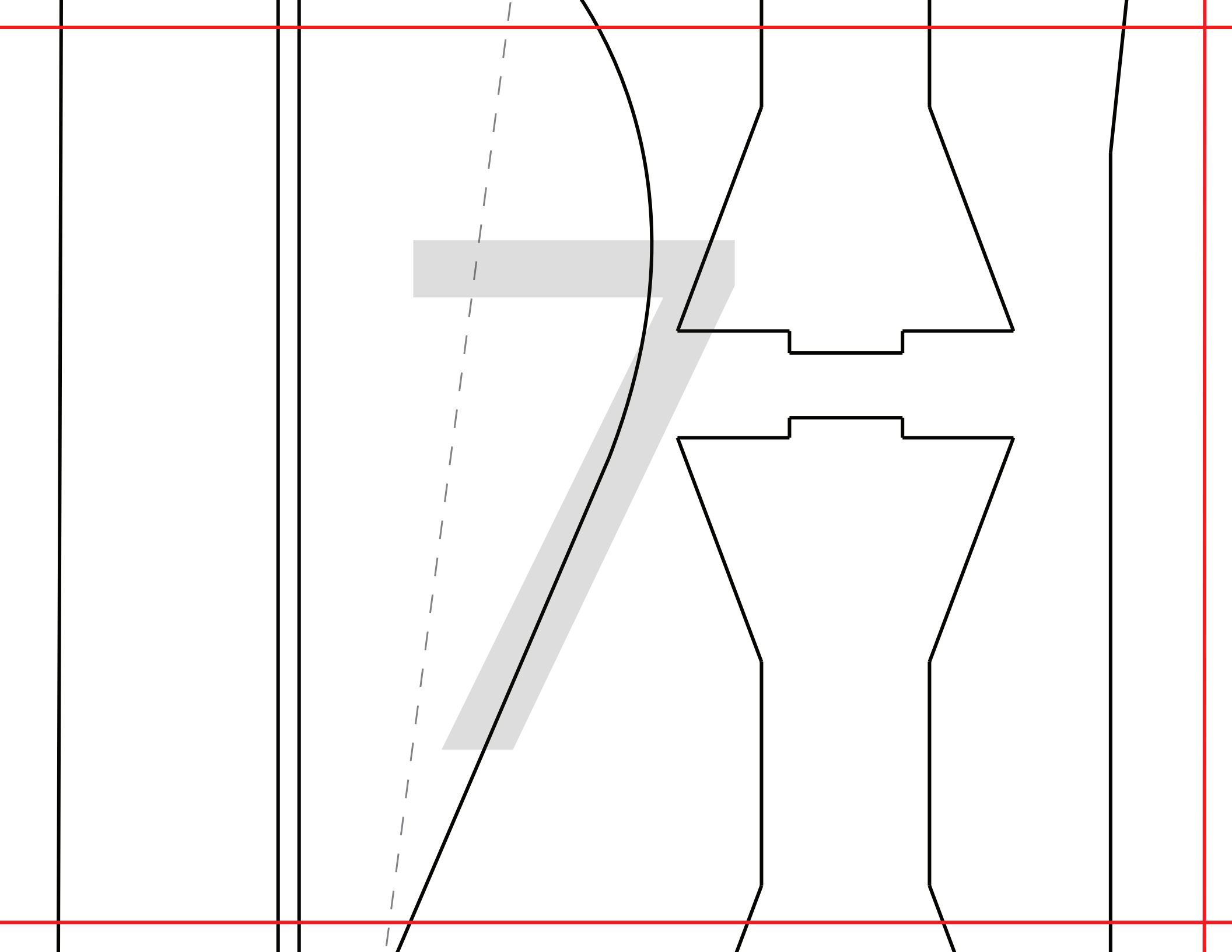




5







8

